

One-touch fittings---threaded type



■ Specification

Operating pressure range	0-9kgf/cm ² (0-0.9MPa)
Negative pressure	-750mmHg(10Torr)
Proof pressure	1.5MPa
Ambient and fluid temperature (°C)	0-60
Applicable tubing	Soft nylon or polyurethane
Color	Grey/black

■ Product feature

1. Variable models can be widely used in every kind of pneumatic systems.
2. High circulation performance: bear the same flow with the volume of the tubing inside diameter.
3. Connect tubing easily and conveniently. The tubing connection portion is safe and durable.
4. The threaded portion is covered with sealant and the M5 thread is attached with a sealing gasket to prevent air leakage over the connection thread portion.
5. The nickel plated body is anti-corrosion and anti-pollution, which allows a broader application.

■ Table for interface port and tube O.D.

Product series	Thread type	Port size				
		φ4	φ6	φ8	φ10	φ12
PL	M5	●	●			
	1/8"	●	●	●	●	●
	1/4"	●	●	●	●	●
	3/8"		●	●	●	●
	1/2"		●	●	●	●
PLL	M5	●	●			
	1/8"	●	●	●	●	
	1/4"	●	●	●	●	●
	3/8"		●	●	●	●
	1/2"		●	●	●	●
PLF	M5	●	●			
	1/8"	●	●	●	●	
	1/4"	●	●	●	●	●
	3/8"		●	●	●	●
	1/2"		●	●	●	●
PCF	M5	●	●			
	1/8"	●	●	●	●	
	1/4"	●	●	●	●	●
	3/8"		●	●	●	●
	1/2"		●	●	●	●
PMF	M5	●	●			
	1/8"	●	●	●	●	
	1/4"	●	●	●	●	●
	3/8"		●	●	●	●
	1/2"		●	●	●	●
PH	M5	●	●			
	1/8"	●	●	●	●	
	1/4"		●	●	●	
	3/8"		●	●	●	●
	1/2"		●	●	●	●
PHW	1/8"	●	●			
	1/4"		●	●	●	
	3/8"		●	●	●	●
	1/2"		●	●	●	●
	PHF	M5	●	●		
1/8"		●	●	●	●	
1/4"			●	●	●	
3/8"			●	●	●	●
1/2"			●	●	●	●
PEB	M5	●	●			
	1/8"	●	●	●	●	
	1/4"	●	●	●	●	●
	3/8"		●	●	●	●
	1/2"		●	●	●	●
PED	M5	●	●			
	1/8"	●	●	●	●	
	1/4"	●	●	●	●	●
	3/8"		●	●	●	●
	1/2"		●	●	●	●
PYB	M5	●	●			
	1/8"	●	●	●	●	
	1/4"	●	●	●	●	●
	3/8"		●	●	●	●
	1/2"		●	●	●	●
PZB	1/8"		●	●	●	
	1/4"		●	●	●	●
	3/8"		●	●	●	●
	1/2"		●	●	●	●

■ Ordering code

Same diameter type fittings **PL 6 01**

Model		Thread type												
PHW: Double universal male elbow	PL: Male elbow	Blank: PT												
PHF: Universal female elbow	PLL: Extended male elbow	Standard color <table border="1"> <tr> <th>Standard color</th> <th>Specification</th> </tr> <tr> <td rowspan="2">Blank: Gray</td> <td>PCF\PMF</td> <td>Release button: Gray</td> </tr> <tr> <td>Others</td> <td>Release button: Gray Body: Gray</td> </tr> <tr> <td rowspan="2">D: Black</td> <td>PCF\PMF</td> <td>Release button: Black</td> </tr> <tr> <td>Others</td> <td>Release button: Black Body: Black</td> </tr> </table>	Standard color	Specification	Blank: Gray	PCF\PMF	Release button: Gray	Others	Release button: Gray Body: Gray	D: Black	PCF\PMF	Release button: Black	Others	Release button: Black Body: Black
Standard color	Specification													
Blank: Gray	PCF\PMF	Release button: Gray												
	Others	Release button: Gray Body: Gray												
D: Black	PCF\PMF	Release button: Black												
	Others	Release button: Black Body: Black												
PEB: Male branch tee	PLF: Female elbow	Thread connection <table border="1"> <tr> <th>Thread connection</th> <th>Adaptable port size</th> </tr> <tr> <td>M5: M5 × 0.8</td> <td>φ4\φ6</td> </tr> <tr> <td>01: 1/8"</td> <td>φ4\φ6</td> </tr> <tr> <td>02: 1/4"</td> <td>φ8\φ10</td> </tr> <tr> <td>03: 3/8"</td> <td>φ12</td> </tr> <tr> <td>04: 1/2"</td> <td></td> </tr> </table>	Thread connection	Adaptable port size	M5: M5 × 0.8	φ4\φ6	01: 1/8"	φ4\φ6	02: 1/4"	φ8\φ10	03: 3/8"	φ12	04: 1/2"	
Thread connection	Adaptable port size													
M5: M5 × 0.8	φ4\φ6													
01: 1/8"	φ4\φ6													
02: 1/4"	φ8\φ10													
03: 3/8"	φ12													
04: 1/2"														
PED: Male run tee	PCF: Female connector	Port size <table border="1"> <tr><td>4: φ4mm</td></tr> <tr><td>6: φ6mm</td></tr> <tr><td>8: φ8mm</td></tr> <tr><td>10: φ10mm</td></tr> <tr><td>12: φ12mm</td></tr> </table>	4: φ4mm	6: φ6mm	8: φ8mm	10: φ10mm	12: φ12mm							
4: φ4mm														
6: φ6mm														
8: φ8mm														
10: φ10mm														
12: φ12mm														
PYB: Branch "Y"	PMF: Bulkhead connector													
PZB: Threaded cross	PH: Universal male elbow													

Different diameter type fittings **PKD 6 - 4 01**

Model	Thread type											
PKD: Male reducer triple branch	Blank: PT											
Port size <table border="1"> <tr><td>6: φ6mm</td></tr> <tr><td>8: φ8mm</td></tr> <tr><td>10: φ10mm</td></tr> </table>	6: φ6mm	8: φ8mm	10: φ10mm	Standard color <table border="1"> <tr> <th>Standard color</th> <th>Specification</th> </tr> <tr> <td rowspan="2">Blank: Gray</td> <td>Release button: Gray</td> </tr> <tr> <td>Body: Gray</td> </tr> <tr> <td rowspan="2">D: Black</td> <td>Release button: Black</td> </tr> <tr> <td>Body: Black</td> </tr> </table>	Standard color	Specification	Blank: Gray	Release button: Gray	Body: Gray	D: Black	Release button: Black	Body: Black
	6: φ6mm											
	8: φ8mm											
10: φ10mm												
Standard color	Specification											
Blank: Gray	Release button: Gray											
	Body: Gray											
D: Black	Release button: Black											
	Body: Black											
Port size <table border="1"> <tr><td>4: φ4mm</td></tr> <tr><td>6: φ6mm</td></tr> <tr><td>8: φ8mm</td></tr> </table>	4: φ4mm	6: φ6mm	8: φ8mm	Thread connection <table border="1"> <tr><td>01: 1/8"</td></tr> <tr><td>02: 1/4"</td></tr> <tr><td>03: 3/8"</td></tr> </table>	01: 1/8"	02: 1/4"	03: 3/8"					
	4: φ4mm											
	6: φ6mm											
8: φ8mm												
01: 1/8"												
02: 1/4"												
03: 3/8"												

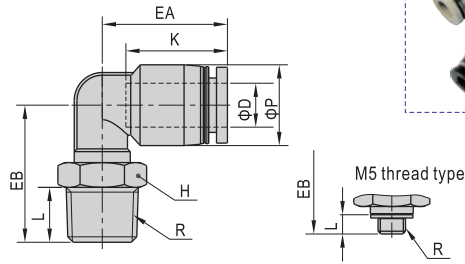
Product series	Thread type	Port size		
		φ6-φ4	φ8-φ6	φ10-φ8
PKD	1/8"	●		
	1/4"		●	
	3/8"			●



One-touch fittings---threaded type

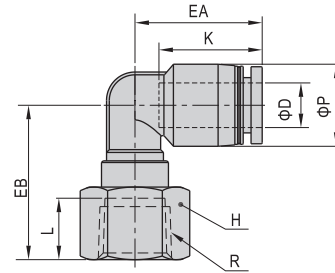
■ Dimensions

PL series



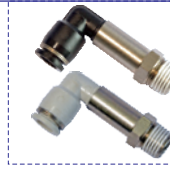
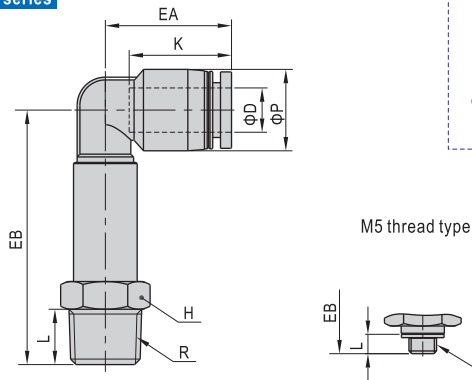
Model\Item	ΦD	R	ΦP	L	K	EA	EB	H(Across flat)	Weight(g)
PL4M5	4	M5×0.8	9	3.5	14	17	15	8	3
PL401	4	1/8"	9	7.5	14	17	18.5	10	4.5
PL402		1/4"	9	10	14	17	22	14	12
PL6M5	6	M5×0.8	12.5	3.5	17	20	17	8	4.5
PL601	6	1/8"	12.5	7.5	17	20	20.5	10	6
PL602		1/4"	12.5	10	17	20	24	14	13.5
PL603		3/8"	12.5	11	17	20	25.5	17	20.5
PL604		1/2"	12.5	14	17	20	30.0	21	36
PL801	8	1/8"	15	7.5	18.5	23	20.5	10	7.5
PL802		1/4"	15	10	18.5	23	25	14	13
PL803		3/8"	15	11	18.5	23	26.5	17	21
PL804		1/2"	15	14	18.5	23	31	21	36
PL1001	10	1/8"	18	7.5	21	25.5	25	17	16.5
PL1002		1/4"	18	10	21	25.5	27	17	19
PL1003		3/8"	18	11	21	25.5	28	17	21
PL1004		1/2"	18	14	21	25.5	32.5	21	37
PL1201	12	1/8"	21	7.5	23	28.5	26.5	17	19
PL1202		1/4"	21	10	23	28.5	28.5	17	21.5
PL1203		3/8"	21	11	23	29.5	33	17	25.5
PL1204		1/2"	21	14	23	29.5	34	21	37

PLF series



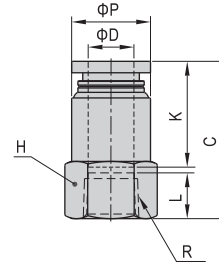
Model\Item	ΦD	R	ΦP	L	K	EA	EB	H(Across flat)
PLF4M5	4	M5×0.8	9	6	14	17	16	10
PLF401		1/8"	9	8	14	17	21	14
PLF402	1/4"	9	11	14	17	24	17	
PLF6M5	6	M5×0.8	12.5	6	17	20	18.5	10
PLF601		1/8"	12.5	8	17	20	23	14
PLF602		1/4"	12.5	11	17	20	26	17
PLF603		3/8"	12.5	12	17	20	27	21
PLF801	8	1/8"	15	8	18.5	23	20	14
PLF802		1/4"	15	11	18.5	23	27.5	17
PLF803		3/8"	15	12	18.5	23	28.5	21
PLF804		1/2"	15	13.5	18.5	23	30	25
PLF1001	10	1/8"	18	8	21	25.5	24	17
PLF1002		1/4"	18	11	21	25.5	26.5	17
PLF1003		3/8"	18	12	21	25.5	30	21
PLF1004		1/2"	18	13.5	21	25.5	31.5	25
PLF1202	12	1/4"	21	11	23	28.5	28.5	17
PLF1203		3/8"	21	12	23	29.5	32	21
PLF1204		1/2"	21	13.5	23	29.5	33	25

PLL series



Model\Item	ΦD	R	ΦP	L	K	EA	EB	H(Across flat)
PLL4M5	4	M5×0.8	9	3.5	14	17	32.5	8
PLL401		1/8"	9	7.5	14	17	36	10
PLL402	1/4"	9	10	14	17	39	14	
PLL6M5	6	M5×0.8	12.5	3.5	17	20	35	8
PLL601		1/8"	12.5	7.5	17	20	38	10
PLL602		1/4"	12.5	10	17	20	41	14
PLL603		3/8"	12.5	11	17	20	43.5	17
PLL801	8	1/8"	15	7.5	18.5	23	43.5	10
PLL802		1/4"	15	10	18.5	23	46	14
PLL803		3/8"	15	11	18.5	23	48.5	17
PLL1001		10	1/8"	18	7.5	21	25.5	51.5
PLL1002	1/4"		18	10	21	25.5	54.5	15
PLL1003	3/8"		18	11	21	25.5	55.5	17
PLL1004	1/2"		18	14	21	25.5	60	21
PLL1202	12	1/4"	21	10	23	28.5	56.5	15
PLL1203		3/8"	21	11	23	29.5	61	17
PLL1204		1/2"	21	14	23	29.5	64	21

PCF series



Model\Item	ΦD	R	ΦP	L	C	K	H(Across flat)
PCF4M5	4	M5×0.8	9	6	21	14	10
PCF401		1/8"	9.5	8	23	14	14
PCF402	1/4"	9.5	11	26	14	17	
PCF6M5	6	M5×0.8	12	6	21.5	16.5	12
PCF601		1/8"	12.5	8	25.5	16.5	14
PCF602		1/4"	12.5	11	28.5	16.5	17
PCF603		3/8"	13	12	29.5	16.5	21
PCF604	1/2"	13	13.5	31.0	16.5	25	
PCF801	8	1/8"	14	8	27.5	18.5	14
PCF802		1/4"	14.5	11	30.5	18.5	17
PCF803		3/8"	14.5	12	31.5	18.5	21
PCF804		1/2"	14.5	13.5	33	18.5	25
PCF1001	10	1/8"	17	8	29	21	17
PCF1002		1/4"	17	11	33	21	17
PCF1003		3/8"	18	12	34	21	21
PCF1004		1/2"	18	13.5	35.5	21	25
PCF1202	12	1/4"	21	11	33.5	23	21
PCF1203		3/8"	21	12	35.5	23	21
PCF1204		1/2"	21	13.5	37	23	25

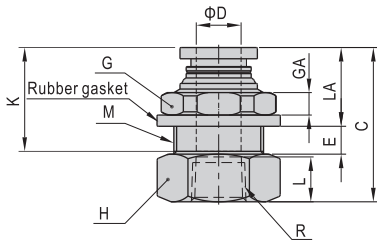


Tube fittings

Accessories—One-Touch Fittings

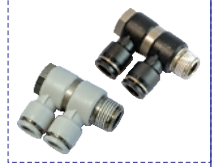
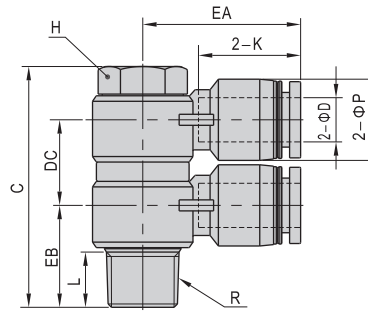
One-touch fittings---threaded type

PMF series



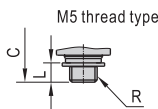
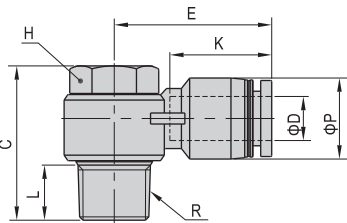
Model\Item	ΦD	R	M	L	C	K	LA	E	G(Across flat)	GA	H(Across flat)
PMF401	4	1/8"	M12X1	8	25	14	12	4	14	4	14
PMF402	4	1/4"	M12X1	11	29	14	12	4	14	4	17
PMF601	6	1/8"	M14X1	8	25.5	16.5	12.5	5	17	4	17
PMF602	6	1/4"	M14X1	11	30.5	16.5	12.5	5	17	4	17
PMF603	6	3/8"	M14X1	12	31.5	16.5	12.5	5	17	4	21
PMF801	8	1/8"	M16X1	8	27.5	18.5	13.5	5.5	19	4	19
PMF802	8	1/4"	M16X1	11	32	18.5	13.5	5.5	19	4	19
PMF803	8	3/8"	M16X1	12	33	18.5	13.5	5.5	19	4	21
PMF804	8	1/2"	M16X1	13.5	34.5	18.5	13.5	5.5	19	4	25
PMF1001	10	1/8"	M20X1	8	30	21	14.5	7.5	24	5	22
PMF1002	10	1/4"	M20X1	11	35	21	14.5	7.5	24	5	22
PMF1003	10	3/8"	M20X1	12	36	21	14.5	7.5	24	5	22
PMF1004	10	1/2"	M20X1	13.5	37.5	21	14.5	7.5	24	5	25
PMF1202	12	1/4"	M22X1	11	34.5	23	15.5	8	27	6	24
PMF1203	12	3/8"	M22X1	12	37.5	23	15.5	8	27	6	24
PMF1204	12	1/2"	M22X1	13.5	39	23	15.5	8	27	6	25

PHW series



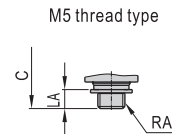
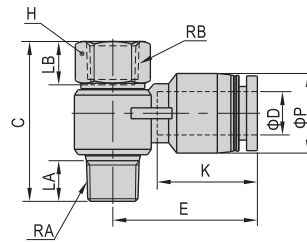
Model\Item	ΦD	R	ΦP	L	C	K	EA	EB	DC	H(Across flat)
PHW401	4	1/8"	9	7.5	38	14	20.5	14.5	13	11
PHW601	6	1/8"	12.5	7.5	38	16.5	23.0	15	13	11
PHW602	6	1/4"	12.5	10	43.5	16.5	25.0	17.5	15.5	14
PHW603	6	3/8"	12.5	11	50	16.5	27.0	20	16.5	19
PHW801	8	1/8"	15	7.5	40.5	18.5	26.5	16.5	15.5	11
PHW802	8	1/4"	15	10	43.5	18.5	28.5	18.5	15.5	14
PHW803	8	3/8"	15	11	50	18.5	29.5	20	16.5	19
PHW804	8	1/2"	15	14	61	18.5	32	24.5	22	24
PHW1002	10	1/4"	18	10	46.5	21	31	20	18.5	14
PHW1003	10	3/8"	18	11	55	21	33	21	22	19
PHW1004	10	1/2"	18	14	61	21	35.5	25	22	24
PHW1203	12	3/8"	21	11	55	23	36	23	22	19
PHW1204	12	1/2"	21	14	61	23	38	26.5	22	24

PH series



Model\Item	ΦD	R	ΦP	L	C	K	E	H(Across flat)
PH4M5	4	M5×0.8	9	3.5	17	14	19	8
PH401	4	1/8"	9	7.5	25	14	20.5	11
PH6M5	6	M5×0.8	12.5	3.5	17	16.5	23.5	8
PH601	6	1/8"	12.5	7.5	25	16.5	23	11
PH602	6	1/4"	12.5	10	28	16.5	25	14
PH603	6	3/8"	12.5	11	33	16.5	27	19
PH801	8	1/8"	15	7.5	25	18.5	26.5	11
PH802	8	1/4"	15	10	28	18.5	28.5	14
PH803	8	3/8"	15	11	33	18.5	29.5	19
PH804	8	1/2"	15	14	39	18.5	32	24
PH1002	10	1/4"	18	10	28	21	31	14
PH1003	10	3/8"	18	11	33	21	33	19
PH1004	10	1/2"	18	14	39	21	35.5	24
PH1203	12	3/8"	21	11	33	23	36	19
PH1204	12	1/2"	21	14	39	23	38	24

PHF series



Model\Item	ΦD	RA	RB	ΦP	LA	LB	C	K	E	H(Across flat)
PHF4M5	4	M5×0.8	M5×0.8	9	3.5	6	20	14	19	8
PHF401	4	1/8"	1/8"	9	7.5	8	29.5	14	20.5	12
PHF6M5	6	M5×0.8	M5×0.8	12.5	3.5	6	20	16.5	23.5	8
PHF601	6	1/8"	1/8"	12.5	7.5	8	29.5	16.5	23	12
PHF602	6	1/4"	1/4"	12.5	10	11	35	16.5	25	17
PHF603	6	3/8"	3/8"	12.5	11	12	40	16.5	27	19
PHF801	8	1/8"	1/8"	15	7.5	8	29.5	18.5	26.5	12
PHF802	8	1/4"	1/4"	15	10	11	35	18.5	28.5	17
PHF803	8	3/8"	3/8"	15	11	12	40	18.5	29.5	19
PHF804	8	1/2"	1/2"	15	14	13.5	47.5	18.5	32	24
PHF1002	10	1/4"	1/4"	18	10	11	35	21	31	17
PHF1003	10	3/8"	3/8"	18	11	12	40	21	33	19
PHF1004	10	1/2"	1/2"	18	14	13.5	47.5	21	35.5	24
PHF1203	12	3/8"	3/8"	21	11	12	40	23	36	19
PHF1204	12	1/2"	1/2"	21	14	13.5	47.5	23	38	24



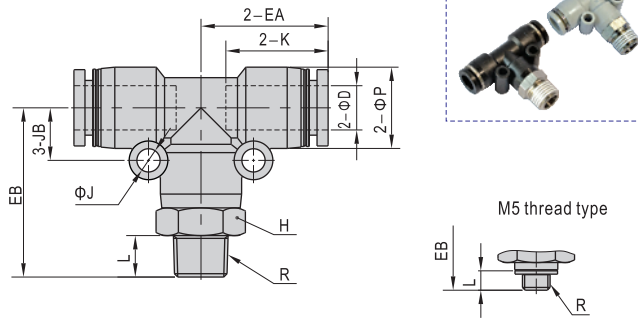
Tube fittings



Accessories—One-Touch Fittings

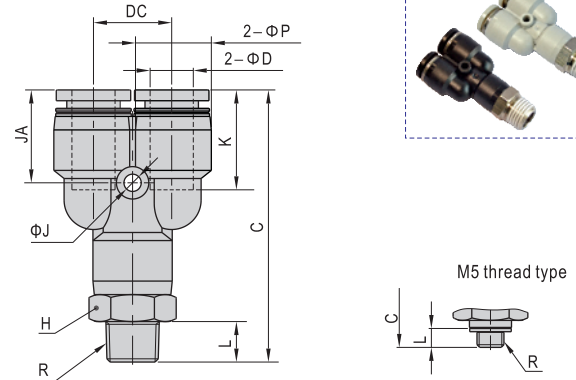
One-touch fittings---threaded type

PEB series



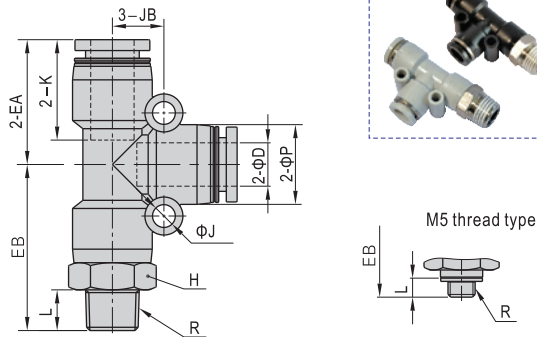
Model\Item	φD	R	φP	L	K	EA	EB	φJ	JB	H(Across flat)
PEB4M5		M5×0.8	9	3.5	14	17	21	3.2	6.5	9
PEB401	4	1/8"	9	7.5	14	17	25	3.2	6.5	10
PEB402		1/4"	9	10	14	17	28	3.2	6.5	14
PEB6M5		M5×0.8	12.5	3.5	16.5	20	23.5	3.2	8	12
PEB601	6	1/8"	12.5	7.5	16.5	20	27.5	3.2	8	12
PEB602		1/4"	12.5	10	16.5	20	30.5	3.2	8	14
PEB603		3/8"	12.5	11	16.5	20	32	3.2	8	17
PEB801	8	1/8"	15	7.5	18.5	23	30.5	4.3	9.5	14
PEB802		1/4"	15	10	18.5	23	33	4.3	9.5	14
PEB803		3/8"	15	11	18.5	23	34.5	4.3	9.5	17
PEB804		1/2"	15	14	18.5	23	38.5	4.3	9.5	21
PEB1001	10	1/8"	18	7.5	21	26.5	34	4.3	11	17
PEB1002		1/4"	18	10	21	26.5	36.5	4.3	11	17
PEB1003		3/8"	18	11	21	26.5	37.5	4.3	11	17
PEB1004		1/2"	18	14	21	26.5	41.5	4.3	11	21
PEB1202	12	1/4"	21	10	23	30	41	4.3	13	21
PEB1203		3/8"	21	11	23	30	42	4.3	13	21
PEB1204		1/2"	21	14	23	30	45	4.3	13	21

PYB series



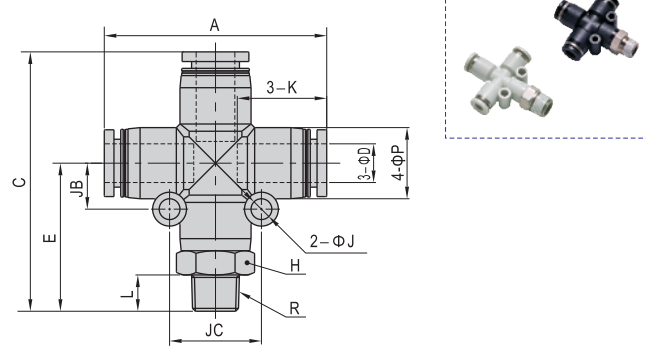
Model\Item	φD	R	φP	L	C	K	φJ	JA	DC	H(Across flat)
PYB4M5		M5×0.8	9	3.5	35.5	14	3.2	13	10	9
PYB401	4	1/8"	9	7.5	39.5	14	3.2	13	10	10
PYB402		1/4"	9	10	42.5	14	3.2	13	10	14
PYB6M5		M5×0.8	12.5	3.5	40.5	16.5	3.2	15.5	12	12
PYB601	6	1/8"	12.5	7.5	44.5	16.5	3.2	15.5	12	12
PYB602		1/4"	12.5	10	47.5	16.5	3.2	15.5	12	14
PYB603		3/8"	12.5	11	49.0	16.5	3.2	15.5	12	17
PYB801	8	1/8"	15	7.5	50	18.5	3.2	17	14.5	14
PYB802		1/4"	15	10	52.5	18.5	3.2	17	14.5	14
PYB803		3/8"	15	11	54	18.5	3.2	17	14.5	17
PYB804		1/2"	15	14	58	18.5	3.2	17	14.5	21
PYB1001	10	1/8"	18	7.5	56.5	21	4.3	19.5	18	17
PYB1002		1/4"	18	10	59	21	4.3	19.5	18	17
PYB1003		3/8"	18	11	60	21	4.3	19.5	18	17
PYB1004		1/2"	18	14	64	21	4.3	19.5	18	21
PYB1202	12	1/4"	21	10	66	23	4.3	21	20.5	21
PYB1203		3/8"	21	11	67	23	4.3	21	20.5	21
PYB1204		1/2"	21	14	70	23	4.3	21	20.5	21

PED series



Model\Item	φD	R	φP	L	K	EA	EB	φJ	JB	H(Across flat)
PED4M5		M5×0.8	9	3.5	14	17	21	3.2	6.5	9
PED401	4	1/8"	9	7.5	14	17	25	3.2	6.5	10
PED402		1/4"	9	10	14	17	28	3.2	6.5	14
PED6M5		M5×0.8	12.5	3.5	16.5	20	23.5	3.2	8	12
PED601	6	1/8"	12.5	7.5	16.5	20	27.5	3.2	8	12
PED602		1/4"	12.5	10	16.5	20	30.5	3.2	8	14
PED603		3/8"	12.5	11	16.5	20	32	3.2	8	17
PED801	8	1/8"	15	7.5	18.5	23	30.5	4.3	9.5	14
PED802		1/4"	15	10	18.5	23	33	4.3	9.5	14
PED803		3/8"	15	11	18.5	23	34.5	4.3	9.5	17
PED804		1/2"	15	14	18.5	23	38.5	4.3	9.5	21
PED1001	10	1/8"	18	7.5	21	26.5	34	4.3	11	17
PED1002		1/4"	18	10	21	26.5	36.5	4.3	11	17
PED1003		3/8"	18	11	21	26.5	37.5	4.3	11	17
PED1004		1/2"	18	14	21	26.5	41.5	4.3	11	21
PED1202	12	1/4"	21	10	23	30	41	4.3	13	21
PED1203		3/8"	21	11	23	30	42	4.3	13	21
PED1204		1/2"	21	14	23	30	45	4.3	13	21

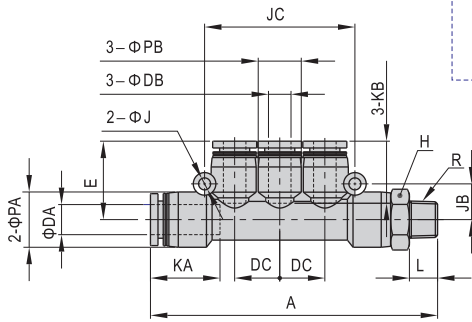
PZB series



Model\Item	φD	R	L	A	E	C	φP	K	φJ	JB	JC	H(Across flat)
PZB601	6	1/8"	7.5		27.5	47.5						12
PZB602		1/4"	10	39.5	30.5	50.5	12.5	16.5	3.2	8	16	14
PZB603		3/8"	11		32	52						17
PZB801	8	1/8"	7.5		30.5	53.5						14
PZB802		1/4"	10	46	33	56	15	18.5	4.3	9.5	19	14
PZB803		3/8"	11		34.5	57.5						17
PZB804		1/2"	14		38.5	61.5						21
PZB1002	10	1/4"	10		36.5	63						17
PZB1003		3/8"	11	52.5	37.5	64	18	21	4.3	11	22	17
PZB1004		1/2"	14		41.5	68						21
PZB1203	12	3/8"	11	59.5	42	72	21	23	4.3	13	26	21
PZB1204		1/2"	14		45	75						21

One-touch fittings---threaded type

PKD series

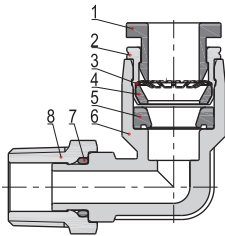


Model/Item	ΦDA	ΦDB	R	L	A	ΦPA	ΦPB
PKD6-401	6	4	1/8"	7.5	66.5	12.5	9
PKD8-602	8	6	1/4"	10	79	15	12.5
PKD10-803	10	8	3/8"	11	91.5	18	15

Model/Item	KA	KB	ΦJ	JB	JC	DC	E	H(Across flat)
PKD6-401	16.5	14	3.2	8	34	10	17.5	12
PKD8-602	18.5	16.5	3.2	9.5	40	12	21	14
PKD10-803	21	18.5	4.3	11	48	14.5	24	17

Inner structure

Model: PL



No.	Item	Material
1	Release button	POM
2	Guide	Aluminum alloy
3	Spring gasket	Stainless steel
4	Chuck	POM
5	O-ring	NBR
6	Body	PBT
7	O-ring	NBR
8	Stud	Brass



Tube fittings

